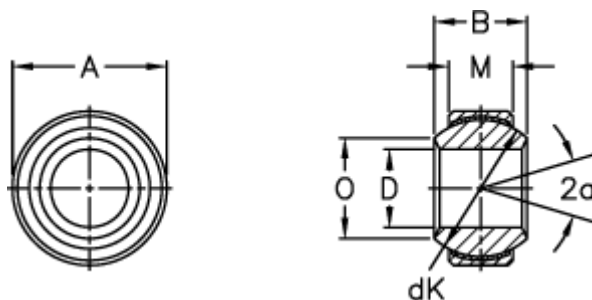


Article number: 03508045

Description: Fluro Rod end GE 45FW-2RS

## Measures



A	= 75 0 -0,013	Tilt angle = 15
B	= 43	Weight = 670
D	= 45 0 -0,012	
dK	= 66	
Dynamic load C (kN)	= 295	
M	= 28	
O	= 50	
Static load C0 (kN)	= 590	